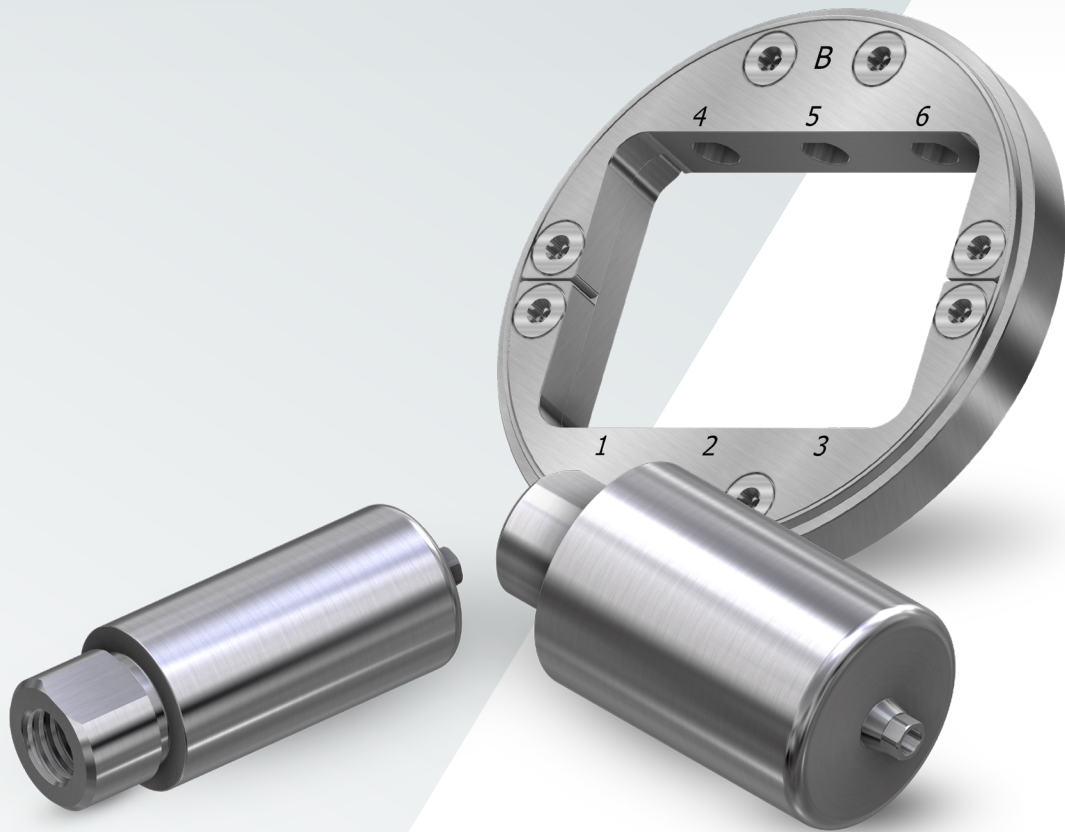


Azure™ Milling

Multi-Platform Prosthetic Solutions



*Your Connection
for Every Connection*

azure™



Introducing Azure Pre-Milled Blanks and Blank Holders.

Azure multi-platform milling solutions offers a robust portfolio of pre-milled titanium blanks and blank holders to support your in-house production needs.

Azure Pre-Milled Blanks are offered for over 25 of the industry's leading implant systems, are manufactured from Titanium Grade V ELI (grade 23), and feature precise connection engineering.

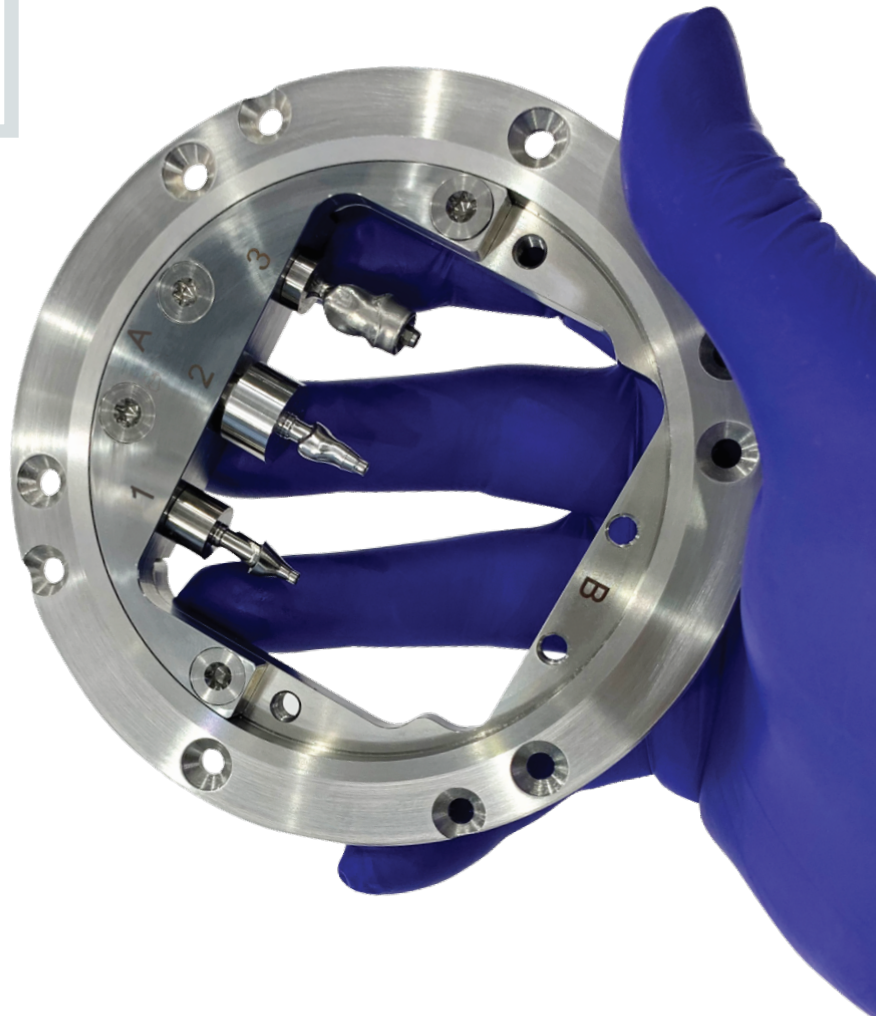
Azure Pre-Milled Blanks and blank holders are designed for precision and stability during the milling process and are compatible with industry leading milling systems.

Azure™ Pre-Milled Blanks

Offering control and efficiency

Embracing in-house milling of titanium blanks offers dental laboratories unparalleled control and efficiency. By managing the milling process internally, laboratories can ensure the highest standards of precision and quality, tailoring each piece to specific patient needs without the constraints of third-party specifications, or extended timelines.

**Azure Milling Solutions
helps you take charge.**



Azure Pre-Milled Blanks

Features and Benefits

- **Titanium Grade V ELI** for improved bio-compatibility and mechanical properties
- Available in 10 mm or 14 mm diameters for **versatility** in restorative procedures
- A harmonized millable length of 20 mm, one of the **longest in the market**, provides:
 - Design versatility, allowing a **wider range of designs** and customizations
 - **Cost-effectiveness** and efficiency
 - Consistent definition of the zero point for more accurate results





Azure Pre-Milled Blank holding system provides:

- **Strong positioning** that holds the blank firmly in place
- **Precise alignment** with the milling equipment
- **Efficiency and accuracy** through its ease-of-use and predictability

- **Screw included**
- Minimal gingival transition height, just 0.3 mm to allow a maximum degree of **design freedom**
- Connection precision for **enhanced stability** and fit and a streamlined, more predictable workflow

Azure Blank Holders

Features and Benefits

A user-friendly "screw-on" system where the pre-milled blanks are attached to a subholder outside the machine and then placed in the holder that remains in the machine. This makes it easier and faster to place and remove blocks.

Pre-milled socket positions and sub-holders are laser identified to better ensure location and optimise the milling process.



Blank Holder Quick Reference Guide

Tool Selector

Brand	Model	Tool Diameter
3M-ESPE	Lava CVC 240	3 mm
Amann Girrbach	Ceramill Motion 2 5x, Mikro 5x, Mikro 4x, Mikro IC	3 mm
Charly Dental	CD04-S, CD05-S	3 mm
	CD50	3 mm / 4 mm / 6 mm
Datron	D5	3 mm / 4 mm / 6 mm
	D1	4 mm
Dental Concept Systems	DC5, DC1	6 mm
Dentaswiss	DS2000, DS2100	3 mm
DMG Mori	Ultrasonic 10, Ultrasonic 20	3 mm / 4 mm / 6 mm
DT Digital	Finocam A5, Finocam Ca, Finocam Ca+	3 mm
Ernst Hinrichs	Hinrimill 5, Hinrimill 5.8, Hinrimill T5	3 mm
Euromax Monaco	Opera Easy 5, Opera Expert 5, Opera Pro-Expert 5	3 mm
	Opera Premium	6 mm
Goldquadrat	Quattro Mill Maxi, Quattro Mill Comfort 5x	3 mm
Imes-Icore®	Coritec One, Coritec 140i, Coritec 245i, Coritec 250i	3 mm
	Coritec 350i, Coritec 450i, Coritec 650i, Coritec 750i	6 mm
Jensen	Preciso M305-X, Preciso M205 Mill	3 mm
Mani Schütz Dental	Tizian Cut 5 Dry, Tizian Cut Eco Plus, Tizian Cut 5	3 mm
	Tizian Cut 5.2, Tizian Cut 5.2 Plus	6mm
MB Maschinen	Cobra Mill Desk 5, Cobra Mill 5m, Cobra Mill 48	3 mm
	Cobra Mill 5a1	6 mm
	Cobra Mill 58	3 mm / 4 mm / 6 mm
R+K Organical Cad/Cam	Organical Desktop 7c, Organical Desktop 6	3 mm
Röders	RXD4, RXD5, RXD5C	3 mm / 4 mm / 6 mm
Roland	DWX50, DWX51D	4 mm
Shera	Eco-Mill Dry	3 mm
Straumann®	Cares M-Series	3 mm
VHF	S1, S2, K5	3 mm
Yenadent	D14, D15, D6, D43, Dc40	4 mm, 6 mm
Zirkonzahn®	M1 Wet Heavy Metal, M1 Abutment, M4 Wet Heavy Metal, M5 Heavy Metal, M6 Wet Heavy Metal	6 mm

Ordering Information

Original Manufacturer	Compatible With	Azure System	Azure SKU	Platform	Diameter
Dentsply Sirona	Ankylos®* C/X	DA-Internal	ARDA-BTH3410	3.5/4.5 mm	10 mm
	Axiom® Bone Level and Tissue Level	AA-Conical	ARAA-BTH3410	3.4 mm	10 mm
	Astra Tech Implant System® Osseospeed® EV	DAEV-Conical	ARDAEV-BTH310	3 mm	10 mm
			ARDAEV-BTH3610	3.6 mm	10 mm
			ARDAEV-BTH3614	3.6 mm	14 mm
			ARDAEV-BTH4210	4.2 mm	10 mm
			ARDAEV-BTH4214	4.2 mm	14 mm
			ARDAEV-BTH4810	4.8 mm	10 mm
			ARDAEV-BTH4814	4.8 mm	14 mm
	Astra Tech Implant System® Osseospeed® TX	DATX-Internal	ARDATX-BTH310	3 mm	10 mm
			ARDATX-BTH3510	3.5/4 mm	10 mm
			ARDATX-BTH3514	3.5/4 mm	14 mm
			ARDATX-BTH4510	4.5/5 mm	10 mm
			ARDATX-BTH4514	4.5/5 mm	14 mm
	Xive®	DX-Internal	ARDX-BTH3410	3.4 mm	10 mm
			ARDX-BTH3810	3.8 mm	10 mm
			ARDX-BTH3814	3.8 mm	14 mm
			ARDX-BTH4510	4.5 mm	10 mm
			ARDX-BTH4514	4.5 mm	14 mm
			ARDX-BTH5510	5.5 mm	10 mm
ARDX-BTH5514			5.5 mm	14 mm	
Begos Semados®	Begos Semados®	BS-Internal	ARBS-BTH32510	3.25/3.75 mm	10 mm
			ARBS-BTH510	5 mm	10 mm
			ARBS-BTH5510	5.5 mm	10 mm
			ARBS-BTH6510	6.5 mm	10 mm
BioHorizons®	BioHorizons® Tapered Internal	BHI-Internal	ARBHI-BTH3510	3.5 mm	10 mm
			ARBHI-BTH310	3 mm	10 mm
			ARBHI-BTH4510	4.5 mm	10 mm
			ARBHI-BTH4514	4.5 mm	14 mm
			ARBHI-BTH5710	5.7 mm	10 mm
			ARBHI-BTH5714	5.7 mm	14 mm
	BioHorizons® Tapered External	BHEX-External	ARBHEX-BTH4210	4.2 mm	10 mm
			ARBHEX-BTH5210	5.2 mm	10 mm

Original Manufacturer	Compatible With	Azure System	Azure SKU	Platform	Diameter
Biotech Kontakt®	Biotech Kontakt®	BK-Conical	ARBK-BTH3610	3.6 mm	10 mm
Camlog®	Camlog®	CCA-Internal	ARCCA-BTH3310	3.3 mm	10 mm
			ARCCA-BTH3810	3.8 mm	10 mm
			ARCCA-BTH3814	3.8 mm	14 mm
			ARCCA-BTH4310	4.3 mm	10 mm
			ARCCA-BTH4314	4.3 mm	14 mm
			ARCCA-BTH510	5 mm	10 mm
			ARCCA-BTH514	5 mm	14 mm
	Conelog®	CCO-Conical	ARCCO-BTH3310	3.3 mm	10 mm
			ARCCO-BTH3314	3.3 mm	14 mm
			ARCCO-BTH3410	3.8/4.3 mm	10 mm
ARCCO-BTH3414			3.8/4.3 mm	14 mm	
ARCCO-BTH510			5 mm	10 mm	
Medentis ICX®	Medentis ICX®	MI-Conical	ARMI-BTHU10	3.3/3.45/3.75/ 4.1/4.8 mm	10 mm
			ARMI-BTHU14	3.3/3.45/3.75/ 4.1/4.8 mm	14 mm
Megagen	Megagen AnyRidge®	MA-Conical	ARMA-BTHU10	3.5/4/4.5/5 mm	10 mm
MIS®	MIS® C1 Conical	MSC-Conical	ARMSC-BTH3310	3.3 mm	10 mm
			ARMSC-BTH510	5 mm	10 mm
	MIS® C1 Conical and V3 Conical	MSCV-Conical	ARMSCV-BTH3710	3.75 mm	10 mm
	MIS® V3 Conical	MSV-Conical	ARMSV-BTH2710	2.75 mm	10 mm
	MIS® Seven® Internal Hexagon	MSH-Internal	ARMSH-BTH3310	3.3 mm	10 mm
			ARMSH-BTH3710	3.75 mm	10 mm
			ARMSH-BTH4510	4.5 mm	10 mm
Neodent®	Neodent® Grand Morse®	NG-Conical	ARNG-BTH310	3 mm	10 mm
			ARNG-BTH314	3 mm	14 mm

Ordering Information *(continued)*

Original Manufacturer	Compatible With	Azure System	Azure SKU	Platform	Diameter
Nobel Biocare	Nobel Brånemark System®	NB-External	ARNB-BTH3510	3.5 mm	10 mm
			ARNB-BTH410	4.1 mm	10 mm
			ARNB-BTH510	5.1 mm	10 mm
	NobelActive® and NobelReplace®	NAC-Conical	ARNAC-BTH310	3 mm	10 mm
			ARNAC-BTH3510	3.5 mm	10 mm
			ARNAC-BTH3514	3.5 mm	14 mm
			ARNAC-BTH4510	4.3/5 mm	10 mm
			ARNAC-BTH4514	4.3/5 mm	14 mm
			ARNAC-BTH5510	5.5 mm	10 mm
	NobelReplace® Select™	NRT-Trilobe	ARNRT-BTH3510	3.5 mm	10 mm
			ARNRT-BTH4310	4.3 mm	10 mm
			ARNRT-BTH4314	4.3 mm	14 mm
			ARNRT-BTH510	5 mm	10 mm
			ARNRT-BTH514	5 mm	14 mm
			ARNRT-BTH610	6 mm	10 mm
Osstem®/Hiossen®	Osstem® and Hiossen®	OH-Conical	AROH-BTH310	3/3.5 mm	10 mm
			AROH-BTH314	3/3.5 mm	14 mm
			AROH-BTHU10	4/4.5/5/5.5 mm	10 mm
			AROH-BTHU14	4/4.5/5/5.5 mm	14 mm
Straumann®	Straumann BLX®	SBLX-Conical	ARSBLX-BTH3510	3.5/4.5 mm	10 mm
			ARSBLX-BTH4514	4.5 mm	14 mm
	Straumann Bone Level	SBL-Conical	ARSBL-BTH3310	3.3 mm	10 mm
			ARSBL-BTH3314	3.3 mm	14 mm
			ARSBL-BTH4110	4.1/4.8 mm	10 mm
			ARSBL-BTH4114	4.1/4.8 mm	14 mm
	Straumann Tissue Level	STL-Tissue	ARSTL-BTH3510	3.5 mm	10 mm
			ARSTL-BTH4110	4.1/4.8 mm	10 mm
			ARSTL-BTH4114	4.1/4.8 mm	14 mm
			ARSTL-BTH4810	4.8/6.5 mm	10 mm
Dentium	Superline Implantium	DT-Conical	ARDT-BTHU10	3.6/3.8/4/4.5/5 mm	10 mm
			ARDT-BTHU14	3.6/3.8/4/4.5/5 mm	14 mm

Original Manufacturer	Compatible With	Azure System	Azure SKU	Platform	Diameter
ZimVie	ZimVie Certain®	ZC-Certain®	ARZC-BTH3410	3.4 mm	10 mm
			ARZC-BTH4110	4.1 mm	10 mm
			ARZC-BTH4114	4.1 mm	14 mm
			ARZC-BTH510	5 mm	10 mm
			ARZC-BTH514	5 mm	14 mm
	ZimVie External Hex	ZEX-External	ARZEX-BTH3410	3.4 mm	10 mm
			ARZEX-BTH4110	4.1 mm	10 mm
			ARZEX-BTH510	5 mm	10 mm
	ZimVie Tapered Screw-Vent®	ZTSV-Internal	ARZTSV-BTH3510	3.5 mm	10 mm
			ARZTSV-BTH3514	3.5 mm	14 mm
			ARZTSV-BTH4510	4.5 mm	10 mm
			ARZTSV-BTH4514	4.5 mm	14 mm
			ARZTSV-BTH5710	5.7 mm	10 mm
			ARZTSV-BTH5714	5.7 mm	14 mm

Blank Holder	
ARI-BH	Blank Holder Imes-Icore®
ARS-BH	Blank Holder Standard 98 mm
ARVHF-BHN4	Blank Holder VHF® N4
ARVHF-BHR5	Blank Holder VHF® R5
ARVHF-BHS125K5	Blank Holder VHF® S1/ S2/ K5/ S5
ARVHF-BHZ4	Blank Holder VHF® Z4
ARY-BHD61543N	Blank Holder Yenadent® D6/ D15/ D43N
ARY-BHSC	Blank Holder Yenadent® and machines with support/ charger 3R D14P/ DC40/ D43N

All Azure products are manufactured according to ISO 9001 and ISO 13485 with CE marking for all products Class IIb
All Azure Angled Screw Channel Ti-Bases (Ti-Base-A) Screws and Screwdrivers are based on the standard ISO 10664
Astra Tech™, OsseoSpeed™, Ankylos™ C/X, XiVE™, Friadent™, Astra Tech Implant System™ EV and UniAbutment™ are trademarks
and/or registered trademarks of Dentsply Sirona

BioHorizons™ is a registered trademark of BioHorizons, Inc.

Brånemark System™, NobelReplace™, Replace Select™, and NobelActive™ are trademarks
and/or registered trademarks of Nobel Biocare AB

Neodent™, Grand Morse™, Straumann™ and synOcta™ are registered trademarks of Straumann Holding AG, Switzerland

MIS™ is a registered trademark of MIS Implant Technologies, Ltd.

Tapered Screw-Vent™ and SwissPlus™ are registered trademarks of Zimmer Dental, Inc. USA

Certain™ is a registered trademark of Biomet 3i

Dyna™ is a registered trademark of Dyna Dental Engineering BV

Camlog™ and Conelog™ are registered trademarks of Camlog Biotechnologies AG

Megagen™ is a registered trademark of Megagen Implant Co. LTD

Bego Semados™ is a registered trademark of Bego GmbH & Co. KG

Anthogyr™ is a registered trademark of Anthogyr SAS

Medentis ICX™ is a registered trademark of Medentis Medical GmbH

Osstem™ and Hiossen™ are registered trademarks of Osstem Implant Co. LTD

Dentium™ is a registered trademark of Dentium Co., Ltd.

Global D™ is a registered trademark of Global D SASU

Biotech Kontakt™ is a registered trademark Biotech Dental SAS

BTI™ is a registered trademark BTI Biotechnology Institute

Azure products can be used only by licensed dentists, physicians, and labs.
Please refer to the Instructions for Use, available on the website
www.azure dental.com or supplied with the product.

Product clearance is limited to certain countries and/or regions.
Please contact your local distributor for more details.

azure™ | A ZimVie Brand

For more information, visit **azure dental.com**
or call: 1-888-800-8018

Unless otherwise indicated, as referenced herein, all trademarks and intellectual property rights are the property of ZimVie Inc. or an affiliate; and all products are manufactured by one or more of the dental subsidiaries of ZimVie Inc. (Biomet 3i, LLC, Zimmer Dental, Inc., etc.) and marketed and distributed by ZimVie Dental and its authorized marketing partners. For additional product information, please refer to the individual product labeling or instructions for use. Product clearance and availability may be limited to certain countries/regions. This material is intended for clinicians only and does not comprise medical advice or recommendations. Distribution to any other recipient is prohibited. This material may not be copied or reprinted without the express written consent of ZimVie. ZV1630 REV A 10/23 ©2023 ZimVie Inc. All rights reserved.

